

Owner's Operator and Maintenance Manual

Atlas[™]

DEALER: This manual **MUST** be given to the user of the wheelchair.

USER: **BEFORE** using this wheelchair, read this manual and save for future reference.

For more information regarding
Invacare products, parts, and services,
please visit www.invacare.com



Yes, you can.

⚠ WARNING

A QUALIFIED TECHNICIAN MUST PERFORM THE INITIAL SET UP OF THIS WHEELCHAIR. ALSO, A QUALIFIED TECHNICIAN MUST PERFORM ALL PROCEDURES SPECIFICALLY INDICATED IN THE MANUAL.

WHEELCHAIR USERS: DO NOT SERVICE OR OPERATE THIS EQUIPMENT WITHOUT FIRST READING AND UNDERSTANDING (1) THE OWNER'S OPERATOR AND MAINTENANCE MANUAL AND (2) THE SEATING SYSTEM'S MANUAL (IF APPLICABLE). IF YOU ARE UNABLE TO UNDERSTAND THE WARNINGS, CAUTIONS, AND INSTRUCTIONS, CONTACT INVACARE TECHNICAL SUPPORT BEFORE ATTEMPTING TO SERVICE OR OPERATE THIS EQUIPMENT - OTHERWISE INJURY OR DAMAGE MAY RESULT.

DEALERS AND QUALIFIED TECHNICIANS: DO NOT SERVICE OR OPERATE THIS EQUIPMENT WITHOUT FIRST READING AND UNDERSTANDING (1) THE OWNER'S OPERATOR AND MAINTENANCE MANUAL, (2) THE SERVICE MANUAL (IF APPLICABLE) AND (3) THE SEATING SYSTEM'S MANUAL (IF APPLICABLE). IF YOU ARE UNABLE TO UNDERSTAND THE WARNINGS, CAUTIONS AND INSTRUCTIONS, CONTACT INVACARE TECHNICAL SUPPORT BEFORE ATTEMPTING TO SERVICE OR OPERATE THIS EQUIPMENT - OTHERWISE, INJURY OR DAMAGE MAY RESULT.

NOTE: Updated versions of this manual are available on www.invacare.com.

TABLE OF CONTENTS

| | |
|--|-----------|
| REGISTER YOUR PRODUCT | 4 |
| SPECIAL NOTES | 7 |
| LABEL LOCATION | 8 |
| TYPICAL PRODUCT PARAMETERS | 9 |
| SECTION 1—GENERAL GUIDELINES | 10 |
| Operating Information..... | 10 |
| Weight Training..... | 11 |
| Weight Limitation..... | 11 |
| SECTION 2—SAFETY/HANDLING OF WHEELCHAIRS | 12 |
| Safety/Handling of Wheelchairs..... | 12 |
| Stability and Balance..... | 12 |
| Reaching, Leaning and Bending Forward | 13 |
| Reaching, Leaning Backwards | 13 |
| Coping With Everyday Obstacles..... | 14 |
| A Note to Wheelchair Assistants | 14 |
| Tipping..... | 14 |
| Tipping - Curbs..... | 14 |
| Stairways..... | 15 |
| Escalators..... | 16 |
| Transferring To and From Other Seats | 16 |
| Unfolding and Folding Wheelchair | 17 |
| Unfolding..... | 17 |
| Folding | 17 |
| SECTION 3—SAFETY INSPECTION/TROUBLESHOOTING | 18 |
| Safety Inspection Checklist..... | 18 |
| Inspect/Adjust Initially | 18 |
| Inspect/Adjust Weekly | 19 |
| Inspect/Adjust Monthly | 19 |
| Inspect/Adjust Periodically | 19 |
| Troubleshooting..... | 20 |
| Maintenance Safety Precautions..... | 20 |
| SECTION 4—FRONT RIGGINGS | 22 |
| Installing/Removing Front Riggings | 22 |
| Installing..... | 22 |
| Removing | 22 |
| Adjusting Footrest Height | 23 |

TABLE OF CONTENTS

| | |
|---|-----------|
| Raising/Lowering Elevating Legrest Assembly..... | 23 |
| SECTION 5—ARMS | 24 |
| Removing/Installing Armrests (Removable Armrests Only)..... | 24 |
| Removing | 24 |
| Installing..... | 24 |
| SECTION 6—BACK | 25 |
| Removing/Installing the Back (Removable Back Only)..... | 25 |
| SECTION 7—REAR WHEELS | 26 |
| Removing/Installing Rear Wheels | 26 |
| SECTION 8—FRONT CASTERS | 27 |
| Adjusting Front Caster Height | 27 |
| SECTION 9—WHEEL LOCKS | 28 |
| Adjusting Wheel Locks | 28 |
| SECTION 10—SEAT-TO-FLOOR HEIGHT | 30 |
| Changing Seat-To-Floor Height..... | 30 |
| SECTION 11—OPTIONS | 31 |
| Installing Anti-Tippers..... | 31 |
| LIMITED WARRANTY | 32 |

REGISTER YOUR PRODUCT

The benefits of registering:

1. Safeguard your investment.
2. Ensure long term maintenance and servicing of your purchase.
3. Receive updates with product information, maintenance tips, and industry news.
4. Invacare can contact you or your provider, if servicing is needed on your product.
5. It will enable Invacare to improve product designs based on your input and needs.

Register ONLINE at www.invacare.com

- or -

Complete and mail the form on the next page

Any registration information you submit will be used by Invacare Corporation only, and protected as required by applicable laws and regulations.



PRODUCT REGISTRATION FORM

Register **ONLINE** at www.invacare.com - or -
Complete and mail this form

Name _____

Address _____

City _____ State/Province _____

Zip/Postal Code _____

Email _____ Phone No. _____

Fold
here

Invacare Model No. _____ Serial No. _____

Purchased From _____ Date of Purchase: _____

1. Method of purchase: (check all that apply)

Medicare Insurance Medicaid Other _____

2. This product was purchased for use by: (check one)

Self Parent Spouse Other

3. Product was purchased for use at:

Home Facility Other

4. I purchased an Invacare product because:

Price Features (list features) _____

5. Who referred you to Invacare products? (check all that apply)

Doctor Therapist Friend Relative Dealer/Provider Other _____

Advertisement (circle one): TV, Radio, Magazine, Newspaper No Referral _____

6. What additional features, if any, would you like to see on this product?

Fold
here

7. Would you like information sent to you about Invacare products that may be available for a particular medical condition? Yes No

If yes, please list any condition(s) here and we will send you information by email and/or mail about any available Invacare products that may help treat, care for or manage such condition(s):

8. Would you like to receive updated information via email or regular mail about the Invacare home medical products sold by Invacare's dealers? Yes No

9. What would you like to see on the Invacare website?

10. Would you like to be part of future online surveys for Invacare products? Yes No

11. User's Year of birth: _____

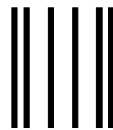
If at any time you wish not to receive future mailings from us, please contact us at Invacare Corporation, CRM Department, 39400 Taylor Parkway, Elyria, OH 44035, or fax to 877-619-7996 and we will remove you from our mailing list.

To find more information about our products, visit www.invacare.com.

Cut Along Line



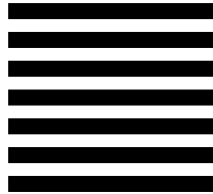
Fold
here



BUSINESS REPLY MAIL
FIRST-CLASS MAIL PERMIT NO. 196 ELYRIA OH

POSTAGE WILL BE PAID BY ADDRESSEE

NO POSTAGE
NECESSARY
IF MAILED
IN THE
UNITED STATES



INVACARE CORPORATION
CRM DEPARTMENT
39400 TAYLOR PARKWAY
ELYRIA OH 44035-9836



Fold
here

Invacare Product Registration Form

Please Seal with
Tape Before Mailing

Cut Along Line



SPECIAL NOTES

Signal words are used in this manual and apply to hazards or unsafe practices which could result in personal injury or property damage. Refer to the following table for definitions of the signal words.

| SIGNAL WORD | MEANING |
|-------------|---|
| DANGER | Danger indicates an imminently hazardous situation which, if not avoided, will result in death or serious injury. |
| WARNING | Warning indicates a potentially hazardous situation which, if not avoided, could result in death or serious injury. |
| CAUTION | Caution indicates a potentially hazardous situation which, if not avoided, may result in property damage. |

NOTICE

THE INFORMATION CONTAINED IN THIS DOCUMENT IS SUBJECT TO CHANGE WITHOUT NOTICE.

WHEELCHAIR USER

As a manufacturer of wheelchairs, Invacare endeavors to supply a wide variety of wheelchairs to meet many needs of the end user. However, final selection of the type of wheelchair to be used by an individual rests solely with the user and his/her healthcare professional capable of making such a selection.

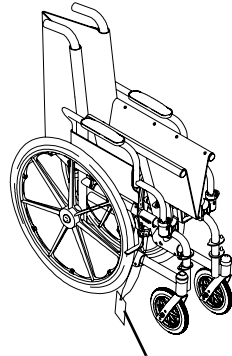
WHEELCHAIR TIE-DOWN RESTRAINTS

Wheelchair users should **NOT** be transported in vehicles of any kind while in wheelchairs. As of this date, the Department of Transportation has not approved any tie-down systems for transportation of a user while in a wheelchair, in a moving vehicle of any type.

It is Invacare's position that users of wheelchairs should be transferred into appropriate seating in vehicles for transportation and use be made of the restraints made available by the auto industry. Invacare cannot and does not recommend any wheelchair transportation systems.

Invacare products are specifically designed and manufactured for use in conjunction with Invacare accessories. Accessories designed by other manufacturers have not been tested by Invacare and are not recommended for use with Invacare products.

LABEL LOCATION



○

IMPORTANT NOTICE

The wheel locks on this wheelchair have been pre-set at the factory to comply with the Veterans Administration functional Standard 8320.01 of the Federal Register, paragraph 3.2.4.5.3. If these wheel locks do not meet your needs, follow instructions below.

⚠ CAUTION

Any wheel lock adjustments should embed wheel lock shoe at least 1/8" into tire when locked (3/16" on pneumatic tires).

INSTRUCTIONS FOR WHEEL LOCK ADJUSTMENTS

1. Loosen wheel lock mounting fastener, which runs through mounting bracket and frame.
2. Slide clamp toward rear wheel until wheel lock shoe is embedded into tire material at least 1/8" when handle is engaged to the lock position (3/16" for pneumatic tires).
3. Tighten mounting fastener to secure mounting bracket in desired location and recheck lock shoe embedding.
4. Inspect for correct locking action BEFORE actual use.

00078X021-0394

NO WHEELCHAIR HAS BEEN APPROVED FOR USE AS A SEATING SURFACE WITHIN A MOTOR VEHICLE. THIS LABEL IS FOR INFORMATIONAL PURPOSES ONLY. LIABILITY ISSUES WERE NOT CONSIDERED IN THE ATTACHMENT OF THIS LABEL.

AUCUN FAUTEUIL ROULANT N'A ÉTÉ APPROUVÉ POUR ÊTRE UTILISÉ COMME SIÈGE À L'INTÉRIEUR D'UN VÉHICULE MOTORISÉ. CETTE ÉTIQUETTE NE PEUT ÊTRE UTILISÉE QU'À TITRE D'INFORMATION ET N'A PAS ÉTÉ AFFICHÉE ICI POUR DES RAISONS DE RESPONSABILITÉ LÉGALE.

Crossmember

Lower Frame Tube

WEIGHT CAPACITY
250 LBS. (114 kgs.)
 REFER TO OWNER'S MANUAL
P/N 1111013

TYPICAL PRODUCT PARAMETERS

| ATLAS | A18PFR | A18PLR | A18RFR | A18RLR |
|---|---|-----------------------------------|--|-----------------------------------|
| OVERALL WIDTH: | 23 and 25 inches | | 24¼ and 26¼ inches | |
| OVERALL DEPTH (WITHOUT FRONT RIGGINGS): | 31¼ inches | | | |
| SEAT WIDTH: | 18 inches | | | |
| SEAT DEPTH: | 16 inches | | | |
| SEAT-TO-FLOOR* (WITH 24 INCH WHEELS) POSITION 1: POSITION 2: | 19 inches 20 inches | | | |
| BACK STYLE: | Fixed | | Removable | |
| BACK HEIGHT: | 16 inches | | | |
| ARM STYLES: | Permanent full length; urethane armpad | | Removable desk length; urethane armpad | |
| FRONT RIGGINGS: | Hemi swingaway footrest | Hemi swingaway elevating legrests | Hemi swing-away footrest | Hemi swingaway elevating legrests |
| REAR AXLE: | Single axle | | Dual axle | |
| REAR WHEELS: | 24-inch composite wheel/solid rubber tire | | | |
| HANDRIMS: | Composite | | | |
| WHEEL LOCKS: | Push to lock | | | |
| CASTER SIZE: | 8x1-inch solid rubber | | | |
| UPHOLSTERY: | Black nylon | | | |
| FRAME FINISH | Black | | | |
| WEIGHT** (APPROX.): | 38.63 pounds | 42.48 pounds | 40.23 pounds | 36.38 pounds |
| SHIPPING WEIGHT** (APPROX.): | 43.48 pounds | 47.33 pounds | 45.08 pounds | 41.23 pounds |
| WEIGHT LIMITATION: | 250 lbs (114 kg) | | | |

*NOTE: These heights can vary $\pm \frac{1}{4}$ inch due to tire wear and manufacturing tolerances.

**NOTE: Weights based on 18x16 inch wide wheelchair with desk length arms. Weights will vary depending on wheelchair options.

SECTION I—GENERAL GUIDELINES

⚠ WARNING

SECTION I - GENERAL GUIDELINES contains important information for the safe operation and use of this product. **DO NOT** use this product or any available optional equipment without first completely reading and understanding these instructions and any additional instructional material such as owner's manuals, service manuals or instruction sheets supplied with this product or optional equipment. If you are unable to understand the **Warnings, Cautions or Instructions**, contact a healthcare professional, dealer or technical personnel before attempting to use this equipment. Otherwise, injury or damage may occur.

Operating Information

Unless otherwise noted, all service and adjustment should be performed while the wheelchair is unoccupied.

To determine and establish your particular safety limits, practice bending, reaching and transferring activities in several combinations in the presence of a qualified healthcare professional before attempting active use of the wheelchair.

DO NOT sit or transfer into the wheelchair unless it is fully open and the seat frame rails are fully seated into the side frame U-blocks.

Avoid storing or using the wheelchair near open flame or combustible products. Serious injury or damage to property may result.

ALWAYS use anti-tippers. When outdoors on wet, soft ground or on gravel surfaces, anti-tippers may not provide the same level of protection against tipover. Extra caution must be observed when traversing such surfaces.

DO NOT traverse, climb or go down ramps or slopes greater than 9°.

DO NOT attempt to move up or down an incline with a water, ice or oil film.

NEVER leave an unoccupied wheelchair on an incline.

DO NOT operate on roads, streets or highways.

DO NOT attempt to ride over curbs or obstacles. Doing so may cause your wheelchair to tip over and cause bodily harm to you or damage to the wheelchair.

DO NOT attempt to reach objects if you have to move forward in the seat.

DO NOT attempt to reach objects if you have to pick them up from the floor by reaching down between your knees.

DO NOT lean over the top of the back upholstery to reach objects behind you, as this may cause the wheelchair to tip over.

DO NOT shift your weight or sitting position toward direction you are reaching as the wheelchair may tip over.

DO NOT attempt to stop a moving wheelchair with wheel locks. Wheel locks are not brakes.

DO NOT tip the wheelchair without assistance.

DO NOT use an escalator to move a wheelchair between floors. Serious bodily injury may occur.

Before attempting to transfer in or out of the wheelchair, every precaution should be taken to reduce the gap distance. Turn both casters parallel to the object you are transferring onto. When transferring to and from the wheelchair, ALWAYS engage both wheel locks.

DO NOT attempt to lift the wheelchair by any removable (detachable) parts. Lifting by means of any removable (detachable) parts of the wheelchair may result in injury to the user or damage to the wheelchair.

If the wheelchair is exposed to extreme temperature (above 100°F or below 32°F), high humidity and/or becomes wet, prior to use, ensure that the handgrips do not twist on the handle. Otherwise, damage or injury may occur.

DO NOT stand on the frame of the wheelchair.

DO NOT stand on the footplates. When getting in or out of the wheelchair, make sure that the footplates are in the upward position or swing footrests towards the outside of the wheelchair.

ALWAYS use the handrims for self-propulsion. DO NOT grip the rear wheels themselves.

ALWAYS keep hands and fingers clear of moving parts to avoid injury.

Weight Training

Invacare does not recommend the use of its wheelchairs as a weight training apparatus. Invacare wheelchairs have not been designed or tested as a seat for any kind of weight training. If occupant uses said wheelchair as a weight training apparatus, Invacare shall not be liable for bodily injury or damage to the wheelchair and the warranty is void.

Weight Limitation

The Atlas wheelchair has a weight limitation of 250 lbs (114 kg).

SECTION 2—SAFETY/HANDLING OF WHEELCHAIRS

Safety/Handling of Wheelchairs

Safety and handling of the wheelchair require the close attention of the wheelchair user as well as the assistant. This manual points out the most common procedures and techniques involved in the safe operation and maintenance of the wheelchair. It is important to practice and master these safe techniques until you are comfortable in maneuvering around the frequently encountered architectural barriers.

Use this information only as a basic guide. The techniques that are discussed on the following pages have been used successfully by many.

Individual wheelchair users often develop skills to deal with daily living activities that may differ from those described in this manual. Invacare recognizes and encourages each individual to try what works best for him/her in overcoming architectural obstacles that they may encounter. However, all warnings and cautions given in this manual **MUST** be heeded. Techniques in this manual are a starting point for the new wheelchair user and assistant with safety as the most important consideration for all.

Stability and Balance

To assure stability and proper operation of your wheelchair, you **MUST** maintain proper balance at all times. Your wheelchair has been designed to remain upright and stable during normal daily activities as long as you do not move beyond the center of gravity.

Virtually all activities which involve movement in the wheelchair have an effect on the center of gravity. Invacare recommends using seat/chest positioning straps for additional safety while involved in activities that shift your weight.

DO NOT lean forward out of the wheelchair any further than the length of the armrests. Make sure the casters are pointing in the forward position whenever you lean forward. This can be achieved by advancing the wheelchair and then reversing it in a straight line.

⚠ WARNING

DO NOT attempt to reach objects if you have to move forward in the seat or pick them up from the floor by reaching down between your knees.

Many activities require the wheelchair owner to reach, bend and transfer in and out of the wheelchair. These movements will cause a change to the normal balance, the center of gravity, and the weight distribution of the wheelchair. To determine and establish your particular safety limits, practice bending, reaching and transferring activities in several combinations in the presence of a qualified healthcare professional before attempting active use of the wheelchair.

Proper positioning is essential for your safety. When reaching, leaning, or bending forward, it is important to use the front casters as a tool to maintain stability and balance.

Reaching, Leaning and Bending Forward

⚠ WARNING

DO NOT attempt to reach objects if you have to move forward in the seat or pick them up from the floor by reaching down between your knees.

NOTE: For this procedure, refer to FIGURE 2.1.

Position the front casters so that they are extended as far forward as possible and engage wheel locks.

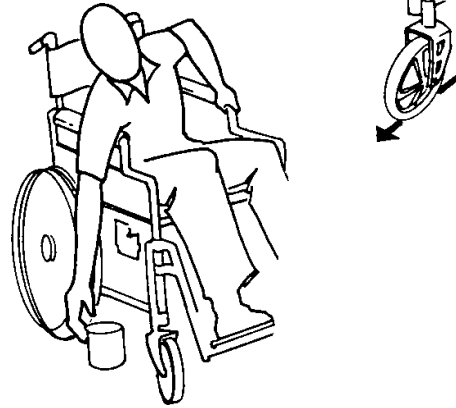


FIGURE 2.1 Reaching, Leaning and Bending Forward

Reaching, Leaning Backwards

⚠ WARNING

DO NOT lean over the top of the back upholstery to reach objects behind you, as this may cause the wheelchair to tip over.

NOTE: For this procedure, refer to For this procedure, refer to FIGURE 2.2.

Position wheelchair as close as possible to the desired object. Point front casters forward to create the longest possible wheelbase. Reach back only as far as your arm will extend without changing your sitting position.



FIGURE 2.2 Reaching, Leaning Backwards

Coping With Everyday Obstacles

Coping with the irritation of everyday obstacles can be alleviated somewhat by learning how to manage your wheelchair. Keep in mind your center of gravity to maintain stability and balance.

A Note to Wheelchair Assistants

When assistance to the wheelchair user is required, remember to use good body mechanics. Keep your back straight and bend your knees whenever tipping the wheelchair or traversing curbs, or other impediments.

DO NOT attempt to lift the wheelchair by any removable (detachable) parts. Lifting by means of any removable (detachable) parts of the wheelchair may result in injury to the user or damage to the wheelchair.

ALWAYS check hand grips for looseness before using the wheelchair. If loose and/or worn, replace immediately.

When learning a new assistance technique, have an experienced assistant help you before attempting it alone.

Tipping

⚠ WARNING

DO NOT tip the wheelchair without assistance.

When tipping the wheelchair, an assistant should grasp the back of the wheelchair on a non-removable (non-detachable) part. Inform the wheelchair occupant before tipping the wheelchair and remind him/her to lean back. Be sure the occupant's feet and hands are clear of all wheels and/or pinch points.

After mastering the techniques of tipping the wheelchair, use the following method to tackle curbs, short stairs, etc.

Tipping - Curbs

NOTE: For this procedure, refer to FIGURE 2.3.

Place foot on the step tube and begin to tilt the wheelchair toward you. Apply a continuous downward motion until the balance point is achieved and the front casters clear the curb. At this point, the assistant will feel a difference in the weight distribution.

⚠ WARNING

When lowering the front casters of the wheelchair, **DO NOT** let the wheelchair drop the last few inches to the ground. This could result in injury to the occupant and/or damage to the wheelchair.

Roll the wheelchair forward and slowly lower the front of the wheelchair in one continuous movement onto the sidewalk. Push the wheelchair forward until the rear wheels roll up and over the curb.

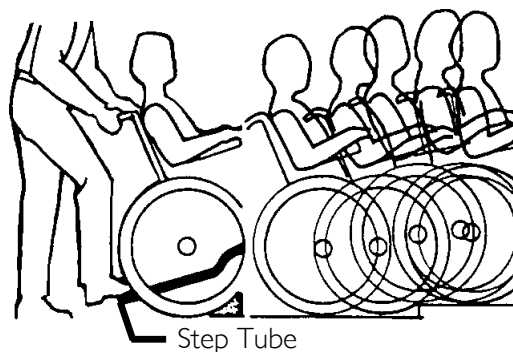


FIGURE 2.3 Tipping - Curbs

Stairways

⚠ WARNING

DO NOT attempt to lift a wheelchair by lifting on any removable (detachable) parts. Lifting by means of any removable (detachable) parts of the wheelchair may result in injury to the user or damage to the wheelchair.

ALWAYS check hand grips for looseness before using the wheelchair. If loose and/or worn, replace immediately.

EXTREME caution is advised when it is necessary to move an occupied wheelchair up or down the stairs. Invacare recommends that, if possible, the user be removed from the wheelchair prior to moving. Invacare recommends using two assistants and making thorough preparations. Make sure to use only secure, non-detachable parts for hand-held supports.

NOTE: For this procedure, refer to FIGURE 2.4.

Follow this procedure for moving the wheelchair between floors when an elevator is not available:

1. If necessary, rotate the anti-tippers so the wheels are facing up.
2. After the wheelchair has been tilted back to the balance point, one assistant (in the rear) backs the wheelchair up against the first step, while securely grasping a non-removable (non-detachable) part of the wheelchair for leverage.
3. The second assistant, with a firm hold on a non-detachable part of the framework, lifts the wheelchair up and over the stair and steadies the wheelchair as the first assistant places one foot on the next stair and repeats STEP 1.

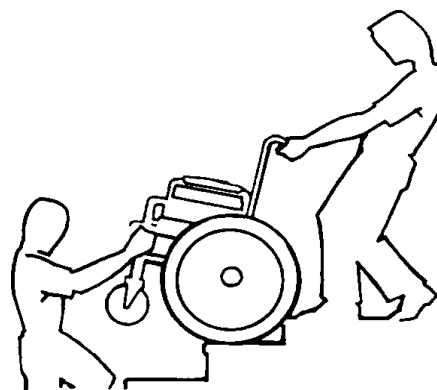


FIGURE 2.4 Stairways

4. The wheelchair should not be lowered until the last stair has been negotiated and the wheelchair has been rolled away from the stairway.
5. If necessary, rotate the anti-tippers so the wheels are facing down.

Escalators

⚠ WARNING

DO NOT use an escalator to move a wheelchair between floors. Serious bodily injury may occur.

Transferring To and From Other Seats

⚠ WARNING

Before attempting to transfer in or out of the wheelchair, every precaution should be taken to reduce the gap distance. Turn both casters parallel to the object you are transferring onto. Also be certain the wheel locks are engaged to help prevent the wheels from moving.

CAUTION

When transferring, position yourself as far back as possible in the seat. This will help prevent damaged upholstery and the possibility of the wheelchair tipping forward.

NOTE: For this procedure, refer to FIGURE 2.5.

NOTE: This activity may be performed independently provided you have adequate mobility and upper body strength.

Position the wheelchair as close as possible alongside the seat to which you are transferring, with the front casters pointing parallel to it. Remove or flip up the armrest. Engage wheel locks. Swing away or remove front rigging. Shift body weight into seat with transfer.

During independent transfer, little or no seat platform will be beneath you. Use a transfer board if at all possible.

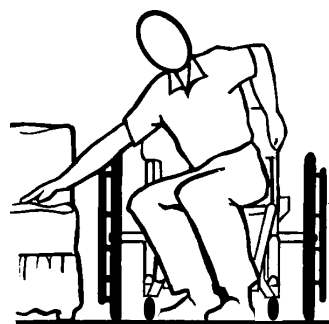


FIGURE 2.5 Transferring To and From Other Seats

Unfolding and Folding Wheelchair

⚠ WARNING

ALWAYS keep hands and fingers clear of moving parts to avoid injury.

DO NOT place hand or fingers on the underside of the seat frame rail when opening or closing the wheelchair.

DO NOT sit or transfer into the wheelchair unless it is fully open and the seat frame rails are fully seated into the side frame U-blocks.

NOTE: For this procedure, refer to FIGURE 2.6.

NOTE: Invacare recommends that a non-folding device be installed to keep the wheelchair from being folded when left unoccupied in a public place.

Unfolding

1. Tilt the wheelchair toward you (raising the opposite wheel and caster off the ground/floor).
2. Place your hand on the top of the seat rail closest to you where the seat upholstery is attached.
3. Point your fingers and thumb to the inside of the wheelchair.
4. Press downward on the top of the seat rail until the wheelchair is fully open and the seat rails are fully seated in the U-blocks.
5. Engage both wheel locks, open the footrest/legrest for clearance and transfer into the wheelchair. Refer to [Transferring To and From Other Seats](#) on page 16.

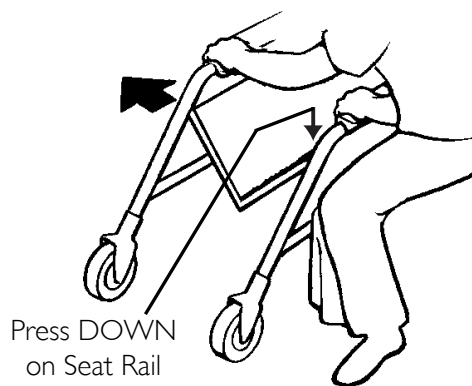


FIGURE 2.6 Unfolding and Folding Wheelchair

Folding

NOTE: For this procedure, refer to FIGURE 2.7.

1. Swing footrest/legrest and calf pads (if equipped) in locked position to the front of the wheelchair.
2. Pivot footplates upward to vertical position.
3. With both hands, grasp the middle of the seat upholstery at the front and back edge and lift up.
4. Continue to close the wheelchair by grasping the armrest furthest from you and pulling the armrest toward you.

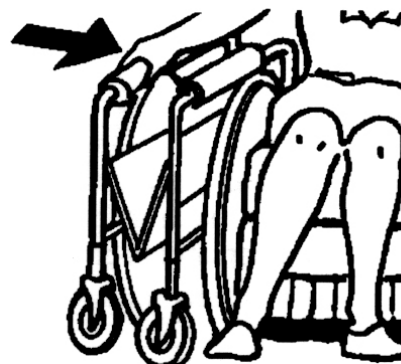


FIGURE 2.7 Folding

SECTION 3—SAFETY INSPECTION/TROUBLESHOOTING

NOTE: Every six months or as necessary, take your wheelchair to a qualified technician for a thorough inspection and servicing. Regular cleaning will reveal loose or worn parts and enhance the smooth operation of your wheelchair. To operate properly and safely, your wheelchair must be cared for just like any other vehicle. Routine maintenance will extend the life and efficiency of your wheelchair.

Safety Inspection Checklist

Initial adjustments should be made to suit your personal body structure and preference. Thereafter follow these maintenance procedures:

Inspect/Adjust Initially

- Ensure that the wheelchair rolls straight (no excessive drag or pull to one side).
- Inspect for loose or missing hardware on frame and crossbraces.
- Inspect for bent frame or crossbraces.
- Check that the wheel locks do not interfere with tires when rolling.
- Check that the wheel lock pivot points are free of wear and looseness.
- Check that the wheel locks are easy to engage.
- Ensure that the wheel locks prevent the wheelchair from moving when engaged.
- Inspect the seat and back for rips and sagging.
- Inspect the seat and back for loose or broken hardware.
- Inspect the back cane hand grips for wear/looseness/deterioration.
- Inspect tires for flat spots and wear.

CAUTION

As with any vehicle, check the wheels and tires periodically for cracks and wear. Replace if damaged.

- Check that there is no excessive side movement or binding in the rear wheels when lifted and spun.
- Inspect rear wheels for cracks and wear (hub and rim).
- Inspect rear wheels for cracked, bent or broken spokes.
- Ensure all spokes are uniformly tight.
- Inspect handrims for signs of rough edges or peeling.

- Inspect axle assembly for proper tension by spinning caster. Caster should come to a gradual stop.
- Adjust front casters/forks bearing system if wheel wobbles noticeably or binds to a stop.
- Ensure wheel bearings are clean and free of moisture.
- Check headtube locknuts for tightness.
- Inspect casters for cracks and wear (hub and rim).
- Inspect front casters for cracked, bent or broken spokes.
- Clean upholstery and armrests.
- Check that all labels are present and legible. Replace if necessary.
- Ensure the casters are free of debris.

Inspect/Adjust Weekly

- Ensure that the wheel locks prevent the wheelchair from moving when engaged.
- Inspect tires for flat spots and wear.
- Inspect rear wheels for cracked, bent or broken spokes.
- Inspect axle assembly for proper tension by spinning caster. Caster should come to a gradual stop.
- Inspect front caster for cracked, bent or broken spokes.
- Ensure the casters are free of debris.

Inspect/Adjust Monthly

- Ensure that the wheelchair rolls straight (no excessive drag or pull to one side).
- Check that the wheel locks do not interfere with tires when rolling.
- Check that the wheel lock pivot points are free of wear and looseness.
- Inspect seat and back for loose or broken hardware.
- Inspect back cane hand grips for wear/looseness/deterioration.
- Adjust front casters/forks bearing system if wheel wobbles noticeably or binds to a stop.
- Ensure wheel bearings are clean and free of moisture.
- Check headtube locknuts for tightness.
- Ensure the casters are free of debris.

Inspect/Adjust Periodically

- Ensure that the wheelchair rolls straight (no excessive drag or pull to one side).
- Inspect frame and crossbraces for loose or missing hardware.

- Inspect for bent frame or crossbraces.
- Check that wheel locks are easy to engage.
- Inspect seat and backs for rips and sagging.
- Check that there is no excessive side movement or binding in the rear wheels when lifted and spun.
- Inspect rear wheels for cracks and wear (hub and rim).
- Inspect handrims for signs of rough edges or peeling.
- Adjust front casters/forks bearing system if wheel wobbles noticeably or binds to a stop.
- Ensure wheel bearings are clean and free of moisture.
- Inspect casters for cracks and wear (hub and rim).
- Clean upholstery and armrests.
- Check that all labels are present and legible. Replace if necessary.
- Ensure the casters are free of debris.

Troubleshooting

| Chair Veers Right/Left | Chair 3 Wheels | Sluggish Turn or Performance | Casters Flutter | Squeaks and Rattles | Looseness in Chair | Solutions |
|------------------------|----------------|------------------------------|-----------------|---------------------|--------------------|---|
| X | X | X | X | | | Check tires for correct and equal pressure. |
| | | X | X | X | X | Check for loose nuts and bolts. |
| X | X | | | | | Check that rear wheels are equally spaced away from seat frame. |

Maintenance Safety Precautions

WARNING

Unless otherwise noted, all service adjustments should be performed while the wheelchair is unoccupied.

After any adjustments, repair or service and before use, make sure all attaching hardware is tightened securely. Otherwise injury or damage may result.

⚠ WARNING

When cleaning rear cane or hand grip areas use only a clean towel lightly dampened with cool water. Verify that grips are dry prior to use. Use of soap or ammonia based cleaning solutions will result in the hand grips sliding off the cane assembly. Failure to observe this warning may result in injury to the user or bystanders.

Replace any labels that are missing, worn, or torn. Refer to Label Location on page 8 for a listing of the labels and their locations.

CAUTION

DO NOT overtighten hardware attaching to the frame. This could cause damage to the frame tubing.

SECTION 4—FRONT RIGGINGS

⚠ WARNING

After any adjustments, repair or service and before use, make sure all attaching hardware is tightened securely. Otherwise injury or damage may occur.

Installing/Removing Front Riggings

NOTE: For this procedure, refer to FIGURE 4.1.

Installing

1. Turn the front rigging to the side (open footplate is perpendicular to wheelchair).
2. Install the front rigging hinge plates onto the hinge pins on the wheelchair frame.
3. Push the front rigging toward the inside of the wheelchair until it locks into place.

NOTE: The footplate will be on the inside of the wheelchair when locked in place.

4. Repeat STEPS 1-3 for the opposite side of the wheelchair.
5. To release the front rigging, push the footrest release lever inward, rotate footrest outward.

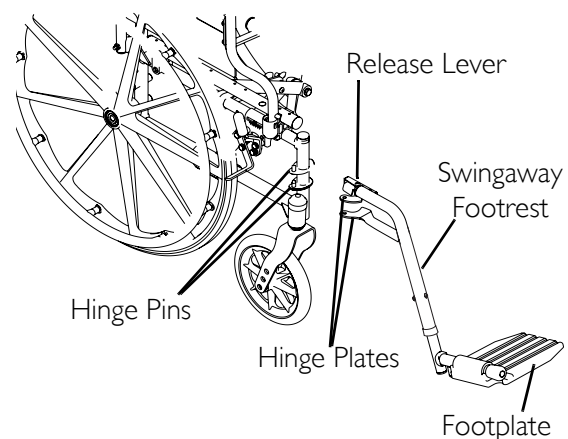


FIGURE 4.1 Installing/Removing Front Riggings

Removing

1. Push the release lever inward and rotate the front rigging outward.
2. Lift up on front rigging and remove from the wheelchair.
3. Repeat STEPS 1-2 for the opposite side of the wheelchair.

Adjusting Footrest Height

NOTE: For this procedure, refer to FIGURE 4.2.

1. Loosen, but **DO NOT** remove, the screw and locknut that secures the lower footrest assembly to the upper footrest support.
2. Reposition the lower footrest assembly to the desired height.
3. Securely tighten the screw and locknut that secures the lower footrest assembly to the upper footrest support.
4. If necessary, repeat STEP 1-3 for the opposite side of the wheelchair.

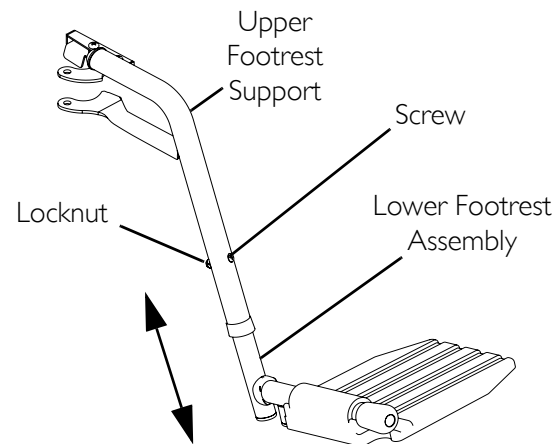


FIGURE 4.2 Adjusting Footrest Height

Raising/Lowering Elevating Legrest Assembly

NOTE: For this procedure, refer to FIGURE 4.3.

1. To raise the elevating legrest, the assistant or user should hold the support tube and raise the elevating legrests until the desired height is obtained.
2. To lower the elevating legrest, perform the following:
 - A. Support the user leg with one hand.
 - B. Push legrest release lever down with other hand.
 - C. Gently lower user leg down and rest it against the legrest.

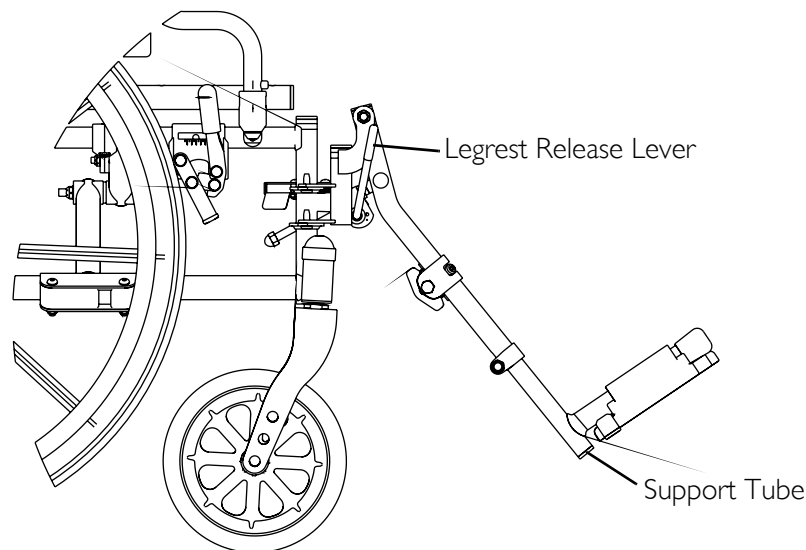


FIGURE 4.3 Raising/Lowering Elevating Legrest Assembly

SECTION 5—ARMS

⚠ WARNING

After any adjustments, repair or service and before use, make sure all attaching hardware is tightened securely. Otherwise injury or damage may occur.

Removing/Installing Armrests (Removable Armrests Only)

NOTE: For this procedure, refer to FIGURE 5.1.

Removing

1. Press and hold the armrest release button at the front of the armrest.
2. Remove armrest from armrest sockets by pulling straight up on the armrest.
3. Repeat STEPS 1 and 2 for the other armrest.

Installing

1. Position armrest over front and rear armrest sockets.
2. Push the armrest down and evenly at both ends until the front release button snaps into arm socket hole.
3. Repeat STEPS 1 and 2 for the other armrest.

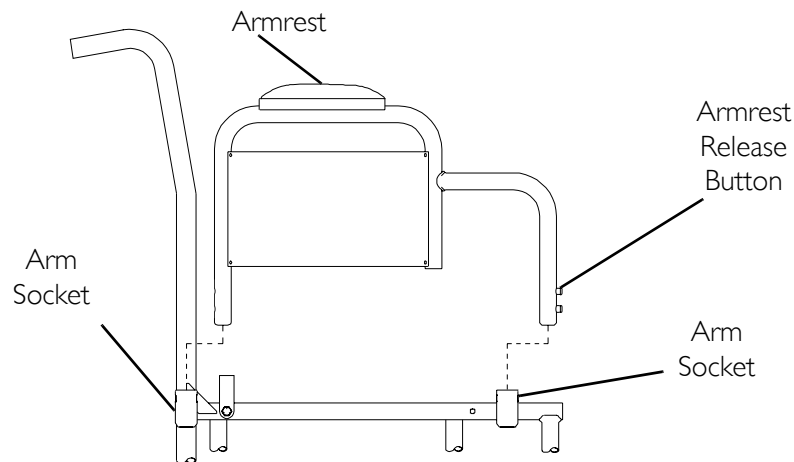


FIGURE 5.1 Removing/Installing Armrests (Removable Armrests Only)

SECTION 6—BACK

⚠ WARNING

After any adjustments, repair or service and before use, make sure all attaching hardware is tightened securely. Otherwise injury or damage may occur.

Remove the back for unoccupied transportation purposes only. Securely install the back onto the wheelchair before use.

Removing/Installing the Back (Removable Back Only)

NOTE: For this procedure, refer to FIGURE 6.1.

1. Remove the two adjustment knobs on the wheelchair frame.
2. Remove the back canes from the wheelchair frame.

NOTE: To install the back, reverse this procedure.

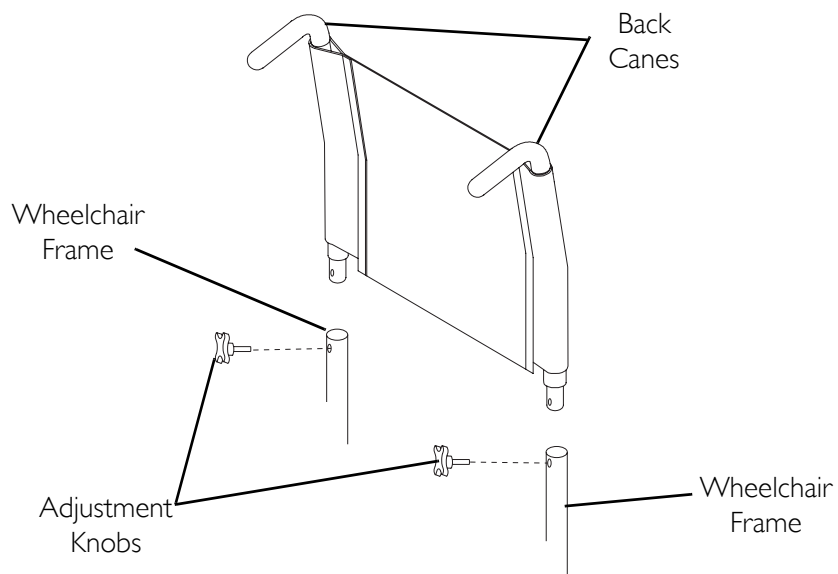


FIGURE 6.1 Removing/Installing the Back (Removable Back Only)

SECTION 7—REAR WHEELS

⚠ WARNING

After any adjustments, repair or service and before use, make sure all attaching hardware is tightened securely. Otherwise injury or damage may occur.

Removing/Installing Rear Wheels

⚠ WARNING

Only a qualified technician may change the size of the rear wheel or the seat-to-floor height.

Make sure both rear wheels are the same size and are installed into the same respective mounting hole before using the wheelchair. Otherwise, injury may occur.

NOTE: For this procedure, refer to FIGURE 7.1.

1. Remove the dust cap, hex screw, spacer and locknut that secure the rear wheel to the wheelchair frame.
2. Repeat STEP 1 for the opposite rear wheel.
3. To reinstall the rear wheel(s) onto the wheelchair, reverse STEPS 1-2.
4. Torque the locknut to 40 ft-lbs.
5. Adjust the wheel locks. Refer to [Adjusting Wheel Locks](#) on page 28.

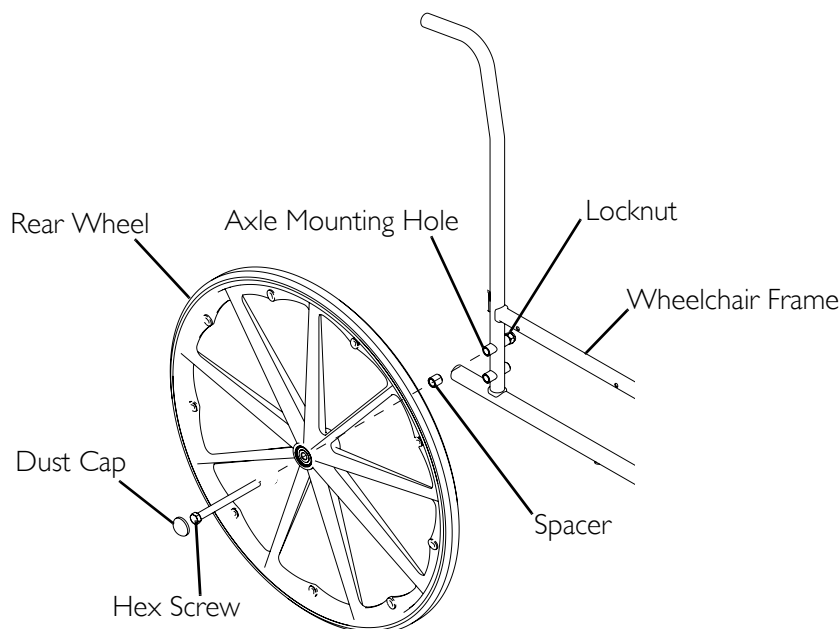


FIGURE 7.1 Removing/Installing Rear Wheels

SECTION 8—FRONT CASTERS

⚠ WARNING

After any adjustments, repair or service and before use, make sure all attaching hardware is tightened securely. Otherwise injury or damage may occur.

Adjusting Front Caster Height

⚠ WARNING

Make sure both front casters are the same size and are installed into the same respective mounting hole before using the wheelchair. Otherwise, injury may occur.

NOTE: For this procedure, refer to FIGURE 8.1.

1. Remove the hex screw, washers and locknut that secure the front caster to the fork.
2. To reinstall the new front caster onto the fork, reverse STEP 1.

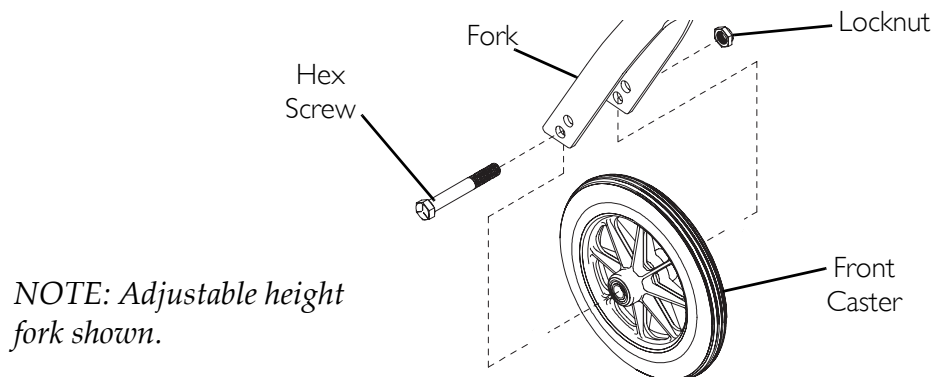


FIGURE 8.1 Adjusting Front Caster Height

SECTION 9—WHEEL LOCKS

⚠ WARNING

After any adjustments, repair or service and before use, make sure all attaching hardware is tightened securely. Otherwise injury or damage may occur.

Adjusting Wheel Locks

⚠ WARNING

DO NOT attempt to stop a moving wheelchair with the wheel locks. WHEEL LOCKS ARE NOT BRAKES.

NOTE: For this procedure, refer to FIGURE 9.1.

1. Ensure the wheel lock is in the open (unlocked position).
2. Loosen the bolt and locknut that secure the wheel lock assembly to the wheelchair frame.
3. Reposition the wheel lock so that when engaged, the wheel lock shoe embeds the tire 1/8-inch and holds the wheelchair.
4. Securely tighten the bolt and locknut securing the wheel lock to the wheelchair frame.
5. Engage the wheel lock.
6. Measure the distance the wheel lock is embedded into the tire as shown in detail "A" of FIGURE 9.1.

NOTE: Any wheel lock adjustment should embed the wheel lock shoe at least 1/8-inch into the tire when engaged.

7. Repeat the STEPS 1-6 until the wheel lock shoe embeds the tire 1/8-inch and holds the wheelchair.
8. Repeat STEPS 1-7 for the opposite wheel lock.
9. If the measurement of 1/8-inch cannot be achieved, remove the bolt and locknut that secure the wheel lock to the wheelchair frame and mount the wheel lock in one of two mounting positions.
10. Repeat STEPS 1-9 until the wheel lock holds the wheelchair. If the correct measurement still cannot be achieved, contact a qualified technician.

**DETAIL "A" - WHEEL LOCK SHOE
ENGAGEMENT**

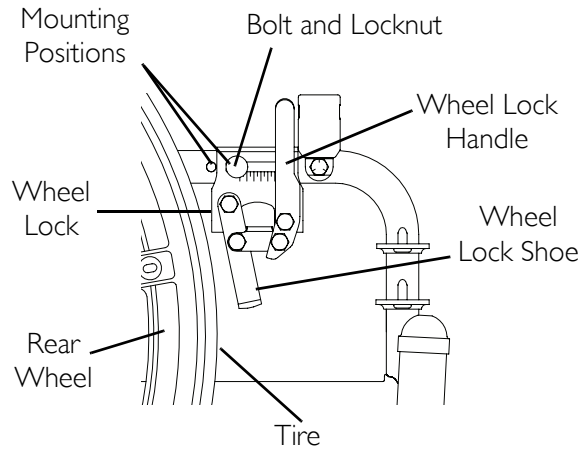
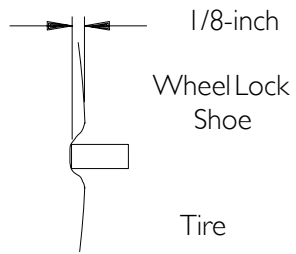


FIGURE 9.1 Adjusting Wheel Locks

SECTION 10—SEAT-TO-FLOOR HEIGHT

⚠ WARNING

After any adjustments, repair or service and before use, make sure all attaching hardware is tightened securely. Otherwise injury or damage may occur.

Changing Seat-To-Floor Height

⚠ WARNING

Seat-to-floor heights have specific positions depending on rear wheel size, rear wheel position, and front caster position. These adjustments **MUST** be performed by a qualified technician.

NOTE: For this procedure, refer to FIGURE 10.1.

1. Refer to the following chart and to FIGURE 10.1 to determine mounting positions for front casters/forks and rear wheels for the desired seat-to-floor height.

| SEAT-TO-FLOOR HEIGHT (IN INCHES) | 8-INCH FRONT CASTER MOUNTING POSITION | REAR WHEEL SIZE | REAR WHEEL MOUNTING POSITION |
|----------------------------------|---------------------------------------|-----------------|------------------------------|
| 19 | Top | 24-inch | Top |
| 20 | Bottom | 24-inch | Bottom |

2. Remove the rear wheels from the wheelchair. Refer to [Removing/Installing Rear Wheels](#) on page 26.
3. Remove the front casters from the wheelchair. Refer to [Adjusting Front Caster Height](#) on page 27.
4. Reinstall the rear wheels onto the wheelchair in the mounting position indicated in the chart. Refer to [Removing/Installing Rear Wheels](#) on page 26.
5. Re-install the front casters onto the wheelchair in the mounting position indicated in the chart. Refer to [Adjusting Front Caster Height](#) on page 27.



FIGURE 10.1 Changing Seat-To-Floor Height

SECTION 11—OPTIONS

⚠ WARNING

After any adjustments, repair or service and before use, make sure all attaching hardware is tightened securely. Otherwise injury or damage may occur.

Installing Anti-Tippers

NOTE: For this procedure, refer to FIGURE 11.1.

1. Remove the rubber tip from the lower frame tube.
2. Slide the anti-tipper onto the lower frame tube until the anti-clamp wraps around the lower frame tube.
3. Tighten the anti-tipper clamp by turning the locknut counter-clockwise.
4. Repeat STEPS 1 to 3 for the other anti-tipper.

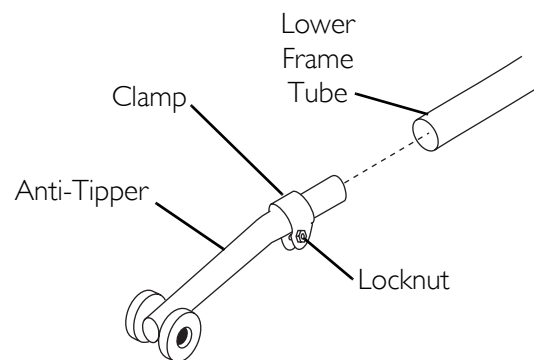


FIGURE 11.1 Installing Anti-Tippers

LIMITED WARRANTY

PLEASE NOTE: THE WARRANTY BELOW HAS BEEN DRAFTED TO COMPLY WITH FEDERAL LAW APPLICABLE TO PRODUCTS MANUFACTURED AFTER JULY 4, 1975.

This warranty is extended only to the original purchaser/user of our products.

This warranty gives you specific legal rights and you may also have other legal rights which vary from state to state.

Invacare warrants this product to be free from defects in materials and workmanship for a period of one year from date of purchase. If within such warranty period any such product shall be proven to be defective, such product shall be repaired or replaced, at Invacare's option. This warranty does not include any labor or shipping charges incurred in replacement part installation or repair of any such product. Invacare's sole obligation and your exclusive remedy under this warranty shall be limited to such repair and/or replacement.

For warranty service, please contact the dealer from whom you purchased your Invacare product. In the event you do not receive satisfactory warranty service, please write directly to Invacare at the address at the bottom of this page. Provide dealer's name, address, the product model number, date of purchase, indicate nature of the defect and, if the product is serialized, indicate the serial number. Do not return products to our factory without our prior consent.

LIMITATIONS AND EXCLUSIONS: THE FOREGOING WARRANTY SHALL NOT APPLY TO SERIAL NUMBERED PRODUCTS IF THE SERIAL NUMBER HAS BEEN REMOVED OR DEFACED, PRODUCTS SUBJECT TO NEGLIGENCE, ACCIDENT, IMPROPER OPERATION, MAINTENANCE OR STORAGE, PRODUCTS MODIFIED WITHOUT INVACARE'S EXPRESS WRITTEN CONSENT INCLUDING, BUT NOT LIMITED TO, MODIFICATION THROUGH THE USE OF UNAUTHORIZED PARTS OR ATTACHMENTS; PRODUCTS DAMAGED BY REASON OF REPAIRS MADE TO ANY COMPONENT WITHOUT THE SPECIFIC CONSENT OF INVACARE, OR TO A PRODUCT DAMAGED BY CIRCUMSTANCES BEYOND INVACARE'S CONTROL, AND SUCH EVALUATION WILL BE SOLELY DETERMINED BY INVACARE. THE WARRANTY SHALL NOT APPLY TO PROBLEMS ARISING FROM NORMAL WEAR OR FAILURE TO ADHERE TO THESE INSTRUCTIONS.

THE FOREGOING EXPRESS WARRANTY IS EXCLUSIVE AND IN LIEU OF ANY OTHER WARRANTIES WHATSOEVER, WHETHER EXPRESS OR IMPLIED, INCLUDING THE IMPLIED WARRANTIES OF MERCHANTABILITY AND FITNESS FOR A PARTICULAR PURPOSE, AND THE SOLE REMEDY FOR VIOLATIONS OF ANY WARRANTY WHATSOEVER, SHALL BE LIMITED TO REPAIR OR REPLACEMENT OF THE DEFECTIVE PRODUCT PURSUANT TO THE TERMS CONTAINED HEREIN. THE APPLICATION OF ANY IMPLIED WARRANTY WHATSOEVER SHALL NOT EXTEND BEYOND THE DURATION OF THE EXPRESS WARRANTY PROVIDED HEREIN. INVACARE SHALL NOT BE LIABLE FOR ANY CONSEQUENTIAL OR INCIDENTAL DAMAGES WHATSOEVER.

THIS WARRANTY SHALL BE EXTENDED TO COMPLY WITH STATE/PROVINCIAL LAWS AND REQUIREMENTS.

Invacare Corporation www.invacare.com



Yes, you can.®

USA
One Invacare Way
Elyria, Ohio USA
44036-2125
800-333-6900

Canada
570 Matheson Blvd E Unit 8
Mississauga Ontario
L4Z 4G4 Canada
800-668-5324

Invacare, the Medallion Design, and Yes, you can. are registered trademarks of Invacare Corporation.
Atlas is a trademark of Invacare Corporation.
© 2006 Invacare Corporation

**PRODUCT MADE
IN CHINA**

Part No. 1130169

Rev A - 6/23/06